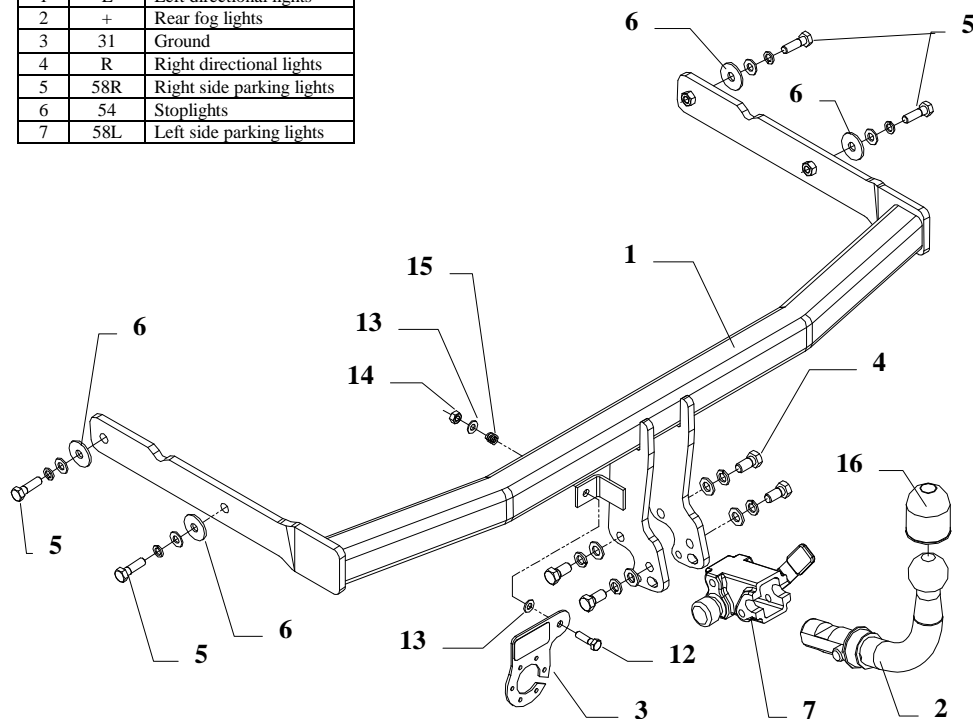


FITTING INSTRUCTION

Clamp mark in acc. with		Cables joining
ISO	PN	
1	L	Left directional lights
2	+	Rear fog lights
3	31	Ground
4	R	Right directional lights
5	58R	Right side parking lights
6	54	Stoplights
7	58L	Left side parking lights



This towbar is designed to assembly in following cars: **VOLKSWAGEN TOURAN**, produced since 2003, catalogue number **K41A** and is prepared to tow trailers max total weight **1500 kg.** and max vertical load **75 kg.**

From manufacturer

Thank you for buying our product. Their reliability has been confirmed in many tests. Reliability of towbar depends also on correct assembly and right operation. For this reasons we kindly ask to read carefully this instruction and apply to hints.

The towbar should be install in points described by a car producer.

The instruction of the assembly

1. Disassemble the bumper, and then unscrew the factory-made metal bowl of the bumper (will not be used again).
2. From under the car, in the side of spars, find two holes, under the layer of preservation.
3. Insert the beam (pos. 1) in the tunnel of spars, and then twist with the screws M10x35mm (pos. 5) and big washers (pos. 6) from the accessories.
4. Mount the bumper, after previous cutting a fragment as well in the fig. 2.

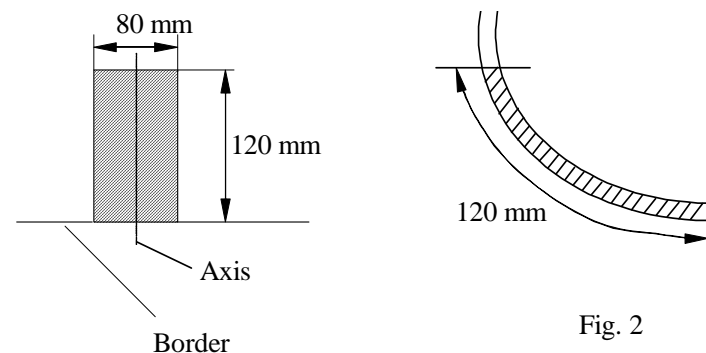


Fig. 2

5. Fix body of the automat (pos. 7) using bolts M12x25mm (pos. 4) from accessories. Place tow-ball (pos. 2) according to supplied instruction.
6. Fix the socket plate (pos. 3) as shown on the drawing.
7. Tight all bolts according to the torque shown in the table.
8. Connect the kit wires to the electric installation, in accordance of the instructions of the car.
9. Complete the possible decreases of the paint cover of towbar, originate during the mounting.

Torque settings for nuts and bolts (8,8):

M6 - 11 Nm	M8 - 25 Nm	M10 - 50 Nm
M12 - 87 Nm	M14 - 138 Nm	M16 - 210 Nm

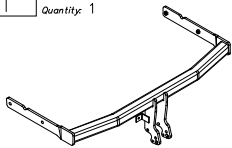
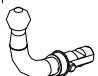
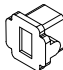
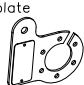
NOTE

After install the towbar you should get adequate note in registration book (at authorised service station). The car should be equipped with:

- Indicators
- Tow mirrors

After 1000km of exploitation check all bolts and nuts. The ball of towbar must be always kept clear and conserve with a grease.

Towbar accessories:

Pos. 1	Name: Main bar Quantity: 1	Pos. 4	Name: Bolt 8,8 B Quantity: 4 Dim.: M12x25mm	Pos. 8	Name: Plain washer Quantity: 4 Dim.: Ø 13 mm	Pos. 13	Name: Plain washer Quantity: 2 Dim.: Ø 8,5 mm
		Pos. 5	Name: Bolt 8,8 B Quantity: 4 Dim.: M10x35mm	Pos. 9	Name: Plain washer Quantity: 4 Dim.: Ø 10,5 mm	Pos. 14	Name: Nut 8 B Quantity: 1 Dim.: M8
		Pos. 6	Name: Washer Quantity: 4 Dim.: Ø36xØ12x3mm	Pos. 10	Name: Spring washer Quantity: 4 Dim.: Ø 12,2 mm	Pos. 15	Name: Spring Quantity: 1
Pos. 2	Name: Tow ball Quantity: 1	Pos. 7	Name: Body of the automat Quantity: 1	Pos. 11	Name: Spring washer Quantity: 4 Dim.: Ø 10,2 mm	Pos. 16	Name: Ball cover Quantity: 1
				Pos. 12	Name: Bolt 8,8 B Quantity: 1 Dim.: M8x30mm	Pos. 17	Name: Body plug Quantity: 1
Pos. 3	Name: Socket plate Quantity: 1						
							



PPUH AUTO-HAK S.J.

Produkcja Zaczepów Kulowych
Henryk & Zbigniew Nejman
76-200 SŁUPSK ul. Słoneczna 16K
tel/fax (059) 8-414-414; 8-414-413
E-mail: office@autohak.com.pl
www.autohak.com.pl

Towing hitch (without electrical set)

Class: **A50-X** Cat. no. **K41A**
Designed for:
Manufacturer: **VOLKSWAGEN**
Model: **TOURAN**
produced since 2003

Technical data:
D-value: 8,76 kN
maximum trailer weight: **1500 kg**
maximum vertical cup load: **75 kg**

Approval number according to Directive 94/20/EC: **e20*94/20*0942*00**

Foreword

This towing hitch is designed according to rules of safety traffic regulations. The towing hitch is a safety component and can be install only by qualified personnel. Any alteration or conversion of the towing hitch is prohibited and would lead to cancellation of design certification. Remove insulating compound and underseal from vehicle (if present) in the areas of the matting surfaces of the towing hitch. The vehicle manufacturer's specifications regarding trailer load and max. vertical cup mass are decisive for driving whereat values for the towing hitch cannot be exceeded.

D-value formula:

$$\frac{\text{Max trailer weight [kg]} \times \text{Max vehicle weight [kg]}}{\text{Max trailer weight [kg]} + \text{Max vehicle weight [kg]}} \times \frac{9,81}{1000} = D \text{ [kN]}$$