



**WESEM**



*additional lamps*

180 x 86

**2HP, 2HPZ**

*halogen fog lights  
and driving lights*

*traditional design*

*universal application*

*tested in every situation*

# Fog lights and driving lights

## 2HP, 2HPZ

### Construction and parameters

#### Application

To be mounted on front parts of cars or trucks.

#### General information

All metal parts are galvanized with a generous zinc coating to ensure corrosion resistance.

The metallic coating is treated with silicone varnish and silicon for protection.

#### Detailed information

##### Construction:

- metal reflector
- black plastic housing
- glass lens
- stone guard made of plastic
- mounting bracket
- bulb (optional)

##### Lens colour

Halogen lights are manufactured with clear or amber lens.

##### Additional features

Mounting and adjustment system permits easy and accurate 3D aiming.

##### Bulbs

Fit bulb type:  
H3 12V 55W or H3 24V 70W

##### Additional equipment

The wires are tipped with F2,5 and A2,5 terminals.

##### Recommendation

2HP and 2HPZ products have been replaced by 4HP line manufactured according to the more efficient water-tightness requirement.

##### Parameters

The driving light guide number which specifies the light's maximum candle power is 12,5 (it is about 60 lx within distance of 25 m).

##### Mounting methods

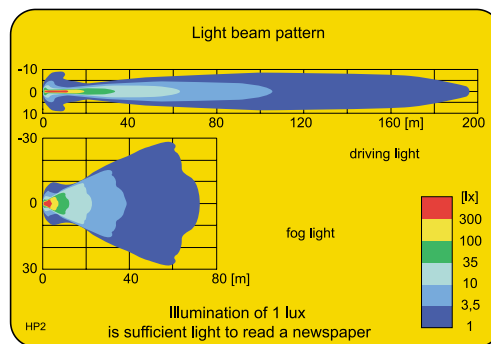
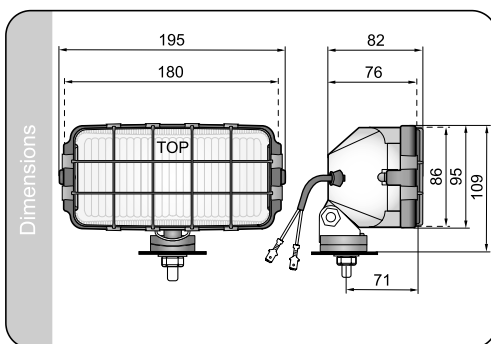
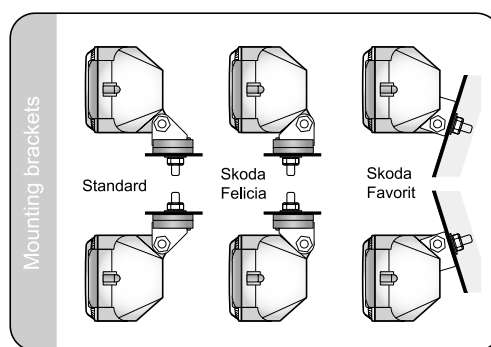
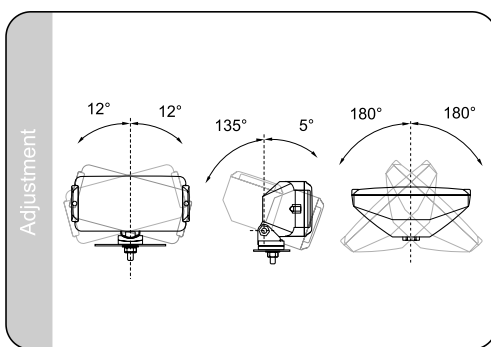
Can be mounted on a vehicle as vertically standing or pendent mounting.

##### Dedicated application

- A - Skoda Favorit
- B - Skoda Felicia 1

Cat. number	Homolog. code	Light function			Lens colour			Accessories							Application		Mounting			Side			Packaging / pc						
		fog light	driving light		clear	blue	amber	bulb H3 12V	bulb H3 24V	stone guard	lamp cover	wire	connector	universal	dedicated	bracket	bumper cavity	spoiler / front grill	right	left	right / left	blister pack	carton box						
2HP10045	100	•			•								•								•							1	
2HP10446	100	•			•								•									•							1
2HPZ.10847	100	•			•								•									•							2
2HPZ.11248	100	•			•								•									•							2
2HP10145	100	•			•			•					•									•							1
2HP10546	100	•			•			•					•									•							1
2HPZ.10947	100	•			•			•					•									•							2
2HPZ.11348	100	•			•			•					•									•							2
2HP10245	102	•			•								•									•							1
2HP10646	102	•			•								•									•							1
2HPZ.11047	102	•			•								•									•							2
2HPZ.11448	102	•			•								•									•							2
2HP10345	102	•			•			•					•									•							1
2HP10746	102	•			•								•									•							1
2HPZ.11147	102	•			•								•									•							2
2HPZ.11548	102	•			•			•					•									•							2
2HP13001	100	•			•								•									•							1
2HPZ.06425	100	•			•								•									•							2
2HP13101	102	•			•								•									•							1
2HPZ.06525	102	•			•								•									•							2
2HPZ.14025	100	•			•								•									•							2
2HPZ.14125	102	•			•								•									•							2

Homologation code means identifier of certification number.



Zakład Produkcyjny „WESEM” Sp.J.  
Poland, 32-020 Wieliczka, ul. Grottgera 4  
tel. +48 12 2781295 fax +48 12 2786966  
www.wesem.com, e-mail: biuro@wesem.com

WESEM produces

- headlamps
- additional lamps
- work lamps
- special lamps
- signalling lamps
- bicycle lamps
- accessories

