

FITTING INSTRUCTION

Clamp mark in acc. with		Cables joining
ISO	PN	
1	L	Left directional lights
2	+	Rear fog lights
3	31	Ground
4	R	Right directional lights
5	58R	Right side parking lights
6	54	Stoplights
7	58L	Left side parking lights

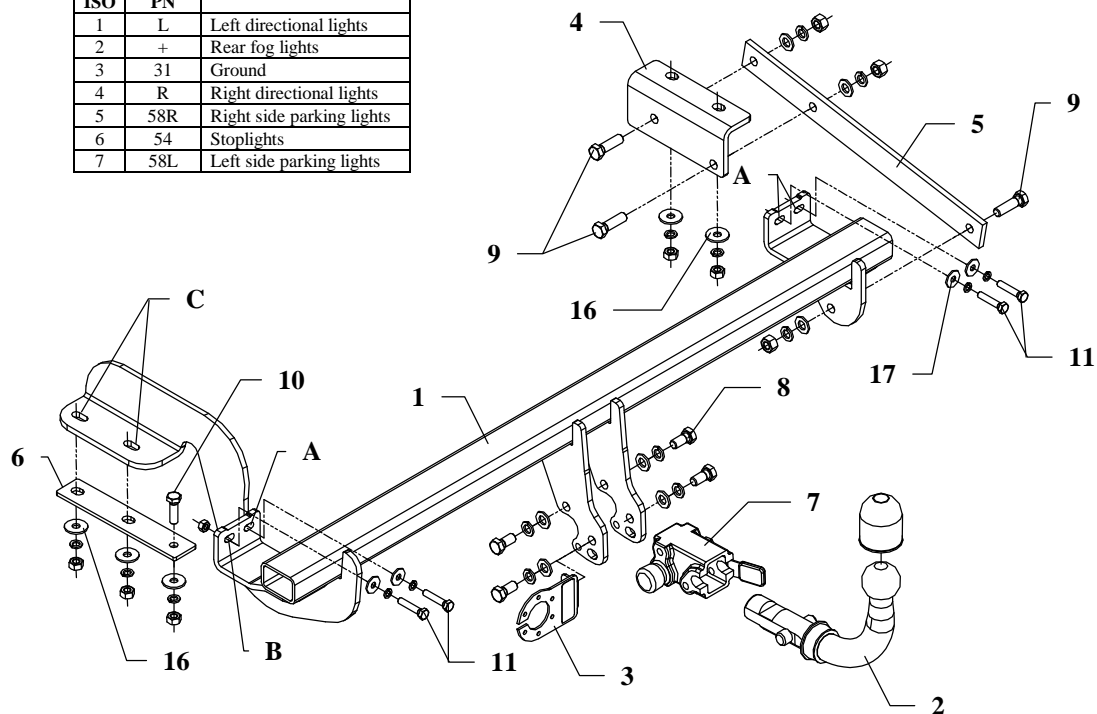


Fig. 1

This towing hitch is designed to assembly in following cars:
PEUGEOT 3008, produced since 2009, catalogue no. **F35A** and is prepared to tow trailers max total weight **1650 kg** and max vertical mass **70 kg**.

From manufacturer

Thank you for buying our product. Their reliability has been confirmed in many tests. Reliability of towing hitch depends also on correct assembly and right operation. For this reasons we kindly ask to read carefully this instruction and apply to hints.

The towing hitch should be install in points described by a car producer.

The instruction of the assembly

1. From the bottom of the car one ought to unscrew three bolts fastening bumper.
2. In points A (see fig. 1) one ought to unscrew the original bolts.
3. Unscrew fastenings of rear muffler.
4. Bend the heat shield inwards by 10mm (if necessary).
5. Apply the main bar of the towing hitch (pos. 1) at points A, B and C.
6. Assembly elements of muffler fastenings with fish-plate (pos. 6).
7. Apply the angle bar (pos. 4) to the right chassis member.
8. Fix loosely flat bar (pos. 5) to the angle bar (pos. 4) and to the main bar of the towing hitch (pos. 1) using bolts M12x40mm (pos. 9).
9. Fix body of the automat (pos. 7) and the socket plate (pos. 3) using bolts M12x25mm (pos. 8) from accessories. Place tow-ball (pos. 2) according to supplied instruction.
10. Tighten all bolts according to the torque shown in the table.
11. Fix bolts fastening bumper again.
12. Connect electric wires of 7-poles socket according to the instruction of the car. (Recommend to make at authorized service station).
13. Complete paint layer damaged during installation.

Torque settings for nuts and bolts (8,8):

M6 - 11 Nm	M 8 - 25 Nm	M 10 - 50 Nm
M 12 - 87 Nm	M 14 - 138 Nm	M16 - 210 Nm

NOTE

After install the towing hitch you should get adequate note in registration book (at authorised service station). The car should be equipped with:

- Indicators
- Tow mirrors

After 1000km check all bolts and nuts. The ball of towing hitch must be always kept clear and conserve with a grease.

Towing hitch accessories:

Pos. 1 Main bar PCS.: 1	Pos. 5 Flat bar PCS.: 1	Pos. 11 Bolt 8,8 B M8x40mm PCS.: 4	Pos. 17 Washer ø24xø8.4x2mm PCS.: 4
Pos. 2 Tow ball PCS.: 1	Pos. 6 Fish-plate PCS.: 1	Pos. 12 Nut 8 B M12 PCS.: 3	Pos. 18 Spring washer ø12.2mm PCS.: 7
Pos. 3 Socket plate PCS.: 1	Pos. 7 Body of the automat PCS.: 1	Pos. 13 Nut 8 B M10 PCS.: 5	Pos. 19 Spring washer ø10.2mm PCS.: 5
Pos. 4 Angle bar PCS.: 1	Pos. 8 Bolt 8,8 B M12x25mm PCS.: 4	Pos. 14 Nut 8 B M8 PCS.: 1	Pos. 20 Spring washer ø8.2mm PCS.: 4
	Pos. 9 Bolt 8,8 B M12x40mm PCS.: 3	Pos. 15 Plain washer ø13mm PCS.: 7	Pos. 21 Ball cover PCS.: 1
	Pos. 10 Bolt 8,8 B M10x35mm PCS.: 1	Pos. 16 Washer ø30xø10.5x2.5mm PCS.: 5	Pos. 24 Body plug PCS.: 1



PPUH AUTO-HAK Sp.J.

Produkcja Zaczepów Kulowych
Henryk & Zbigniew Nejman
76-200 SŁUPSK ul. Słoneczna 16K
tel/fax (059) 8-414-414; 8-414-413
E-mail: office@autohak.com.pl
www.autohak.com.pl

Towing hitch (without electrical set)

Class: **A50-X** Cat. no. **F35A**

Designed for:

Manufacturer: **PEUGEOT**

Model: **3008**

produced since 2009

Technical data:

D-value: 9,2 kN

maximum trailer weight: **1650 kg**

maximum vertical cup mass: **70 kg**

Approval number according to Directive 94/20/EC: e20*94/20*1113*00

Foreword

This towing hitch is designed according to rules of safety traffic regulations. The towing hitch is a safety component and can be install only by qualified personnel. Any alteration or conversion of the towing hitch is prohibited and would lead to cancellation of design certification. Remove insulating compound and underseal from vehicle (if present) in the area of the matting surfaces of the towing hitch. The vehicle manufacturer's specifications regarding trailer mass and max. vertical cup mass are decisive for driving whereat values for the towing hitch cannot be exceeded.

D-value formula:

$$\frac{\text{Max trailer weight [kg]} \times \text{Max vehicle weight [kg]}}{\text{Max trailer weight [kg]} + \text{Max vehicle weight [kg]}} \times \frac{9,81}{1000} = D \text{ [kN]}$$