

FITTING INSTRUCTION

| Clamp mark in acc. with | | Cables joining |
|-------------------------|-----|---------------------------|
| ISO | PN | |
| 1 | L | Left directional lights |
| 2 | + | Rear fog lights |
| 3 | 31 | Ground |
| 4 | R | Right directional lights |
| 5 | 58R | Right side parking lights |
| 6 | 54 | Stoplights |
| 7 | 58L | Left side parking lights |

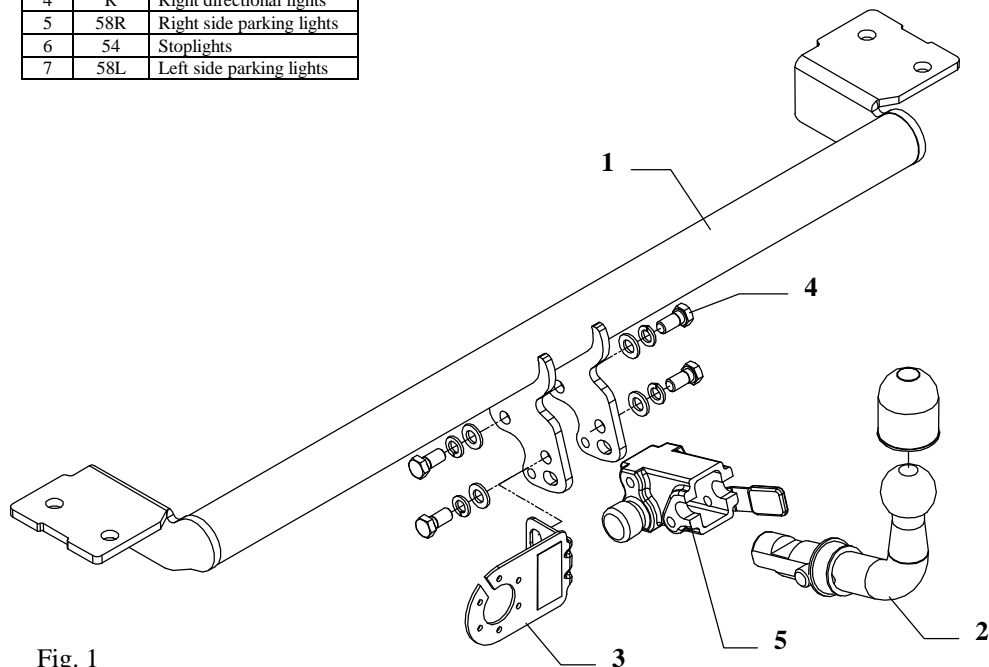


Fig. 1

This towbar is designed to assembly in following car: **TOYOTA AVENSIS 4-5 doors**, produced since 1997 till 12.2002, catalogue no. **O05A**, and is prepared to tow trailers max total weight **1400 kg** and max vertical load **75 kg**.

From manufacturer

Thank you for buying our product. Their reliability has been confirmed in many tests. Reliability of towbar depends also on correct assembly and right operation. For this reasons we kindly ask to read carefully this instruction and apply to hints.

The towbar should be install in points described by a car producer.

The instruction of the assembly

1. Disassemble the bumper.
2. Disassemble original tow handles (not used any more).
3. Put main bar of the towbar (pos. 1) to the car and in places original tow handles fix it using original bolts.
4. Cut out fragments of the bumper (see fig. 2). Fragment 80x70mm - in lower part in axis of the bumper.
5. Fix body of the automat (pos. 5) and the socket plate (pos. 3) using bolts M12x25mm (pos. 4) from accessories. Place tow-ball (pos. 2) according to supplied instruction.
6. Fix tight all bolts according to the torque shown in the table.
7. Connect electric wires according to the instruction of the car. (Recommend to make at authorized service station).
8. Supplement the paint coating damaged during assembly.

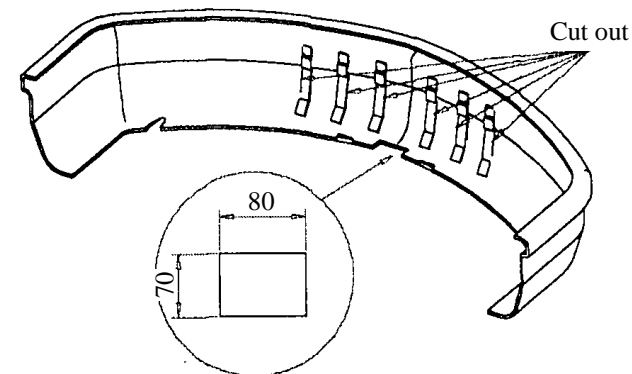


Fig. 2

| | |
|---|----------------------|
| Torque settings for nuts and bolts (8,8): | |
| M 8 - 25 Nm | M 10 - 55 Nm |
| M 12 - 85 Nm | M 14 - 135 Nm |

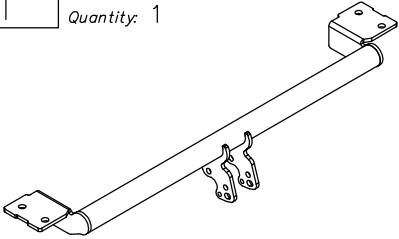
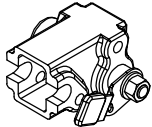
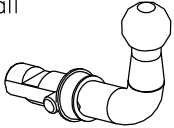

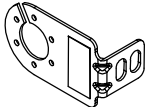

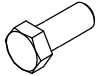
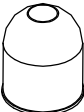
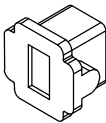
NOTE

After install the towbar you should get adequate note in registration book (at authorised service station).The car should be equipped with:

- Indicators
- Tow mirrors

After 1000km check all bolts and nuts. The ball of towbar must be always kept clear and conserve with a grease.

Towbar accessories:

| | | | |
|---|--|--|--|
| Pos. 1 | Name: Main bar Quantity: 1 | Pos. 5 | Name: Body of the automat Quantity: 1 |
|  | |  | |
| Pos. 2 | Name: Tow ball Quantity: 1 | Pos. 6 | Name: Plain washer Quantity: 4 Dim. : Ø 13 mm |
|  | |  | |
| Pos. 3 | Name: Socket plate Quantity: 1 | Pos. 7 | Name: Spring washer Quantity: 4 Dim. : Ø 12,2 mm |
|  | |  | |
| Pos. 4 | Name: Bolt 8,8 B Quantity: 4 Dim. : M12x25mm | Pos. 8 | Name: Ball cover Quantity: 1 |
|  | |  | |
| | | Pos. 9 | Name: Body plug Quantity: 1 |
| | |  | |



PPUH AUTO-HAK S.J.

Produkcja Haków Holowniczych
Henryk & Zbigniew Nejman
76-200 SŁUPSK ul. Słoneczna 16K
tel/fax (059) 8-414-414; 8-414-413
Email: office@autohak.com.pl
www.autohak.com.pl

Towing hitch (without electrical set)

Class: **A50-X** Cat. no. **O05A**

Designed for:

Manufacturer: **TOYOTA**

Model: **AVENSIS**

Type: **4-5doors**

produced since 1997 till 12.2002

Technical data:

D-value: 7,78 kN

maximum trailer weight: **1400 kg**

maximum vertical cup load: **75 kg**

Approval number acc. to regulations EKG/ONZ 55.01: E20-55R-01 1136

Foreword

This towbar is designed according to rules of safety traffic regulations. The towing hitch is a safety component and can be install only by qualified personnel. Any alteration or conversion of the towing hitch is prohibited and would lead to cancellation of design certification. Remove insulating compound and underseal from vehicle (if present) in the area of the matting surfaces of the towing hitch.

The vehicle manufacturer's specifications regarding trailer load and max. vertical cup load are decisive for driving, and values for the towing hitch cannot be exceeded.

D-value formula:

$$\frac{\text{Max trailer weight [kg]} \times \text{Max vehicle weight [kg]}}{\text{Max trailer weight [kg]} + \text{Max vehicle weight [kg]}} \times \frac{9,81}{1000} = D \text{ [kN]}$$