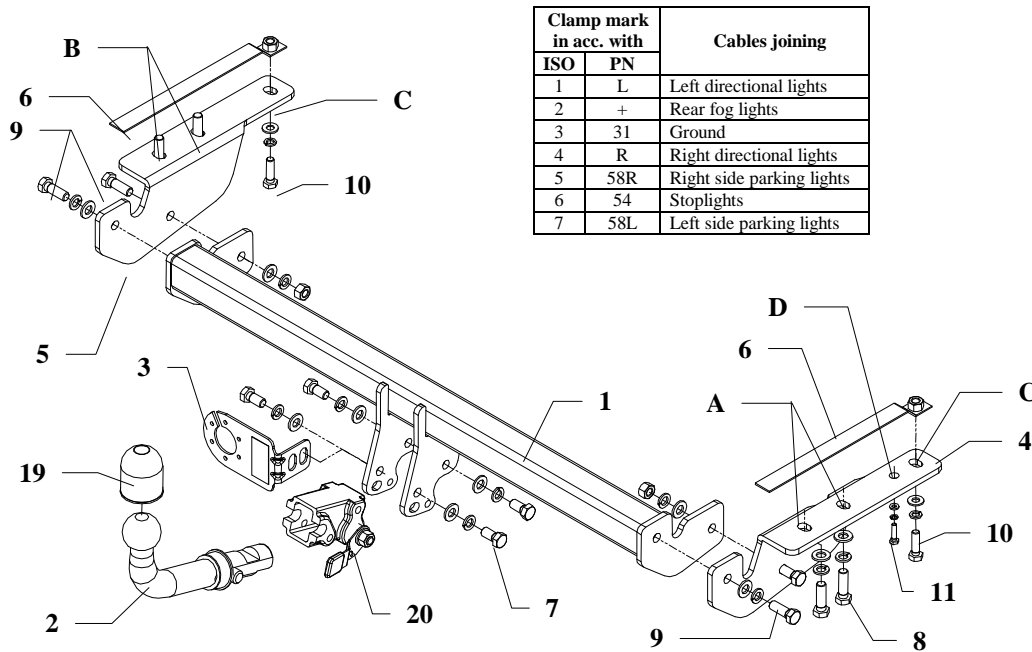


FITTING INSTRUCTION



Clamp mark in acc. with		Cables joining
ISO	PN	
1	L	Left directional lights
2	+	Rear fog lights
3	31	Ground
4	R	Right directional lights
5	58R	Right side parking lights
6	54	Stoptlights
7	58L	Left side parking lights

This towbar is designed to assembly in following cars:
TOYOTA COROLLA VERSO produced since 2002 till 03.2004,
 catalogue number **O50** and is prepared to tow trailers max total weight
1350kg and max vertical load **55kg**.

Foreword

Thanks for buying our products.

The towbar is design to fulfil the traffic safety regulations and their reliability has been confirmed in many tests. The reliability of towbar depends also on the correct fit and exploitation rules.



Fig. 2

Fitting instructions

1. Disassemble the bumper together with the plastic filling (left side).
 2. Unscrew the towing eye and the metal bumper support.
 3. Disassemble the silencer and thermal sheet.
 4. Position side brackets (pos. 4 and 5) to the car frame, do it in such a way that towbar holes (pos. A and B) cover the fabric holes, then fix it using M12x1,25x40mm bolts (pos. 8).
- Attention! Use two bolts from the towing eye.
5. Slide the M10 nuts on the jibs (pos. 6) to the chassis member, these nuts should cover the holes (pos. C) and fix it using M10x35mm bolts (pos. 10).
 6. Slide the main bar of the towbar (pos. 1) between brackets (pos. 4 and 5) and fix it using M12x35mm bolts (pos. 9).
 7. Reinstall the thermal sheet using one fabric bolt and the M6x25mm bolt from the towbar accessories pos. 11
 8. Reinstall the silencer and metal support
 9. Remount the bumper together with the plastic filling (plastic filling should be cut earlier – see fig. 2)
 10. Fix body of the automat (pos. 20) and the socket plate (pos. 3) using bolts M12x25mm (pos. 7) from accessories. Place tow-ball (pos. 2) according to supplied instruction.
 11. Tighten all nuts and bolts according to the torque shown in the table
 12. Connect to the electric wires according to the instructions of the car
 13. Complete the paint cover of towbar (during the mounting paint cover could be destroyed)

Torque settings for nuts and bolts (8,8):

M 8	25 Nm	M 10	55 Nm
M 12	85 Nm	M 14	135Nm

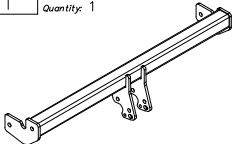
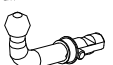
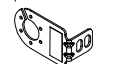
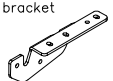
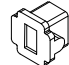
NOTE

After install the towbar you should get adequate note in registration book (at authorised service station). The car should be equipped with:

- Indicators
- Tow mirrors

After 1000km check all bolts and nuts. The ball of towbar must be always kept clear and conserve with a grease.

Towbar accessories:

Pos. 1 Name: Main bar Quantity: 1	Pos. 5 Name: Left bracket Quantity: 1	Pos. 10 Name: Bolt 8,8 B Quantity: 2 Dim.: M10x35mm	Pos. 16 Name: Spring washer Quantity: 10 Dim.: Ø 12,2 mm
	Pos. 6 Name: Nut on the jib Quantity: 2	Pos. 11 Name: Bolt 8,8 B Quantity: 1 Dim.: M6x25mm	Pos. 17 Name: Spring washer Quantity: 2 Dim.: Ø 10,2 mm
Pos. 2 Name: Tow ball Quantity: 1	Pos. 7 Name: Bolt 8,8 B Quantity: 4 Dim.: M12x25mm	Pos. 12 Name: Nut 8 B Quantity: 2 Dim.: M12	Pos. 18 Name: Spring washer Quantity: 2 Dim.: Ø 6,2 mm
	Pos. 8 Name: Bolt 8,8 B Quantity: 2 Dim.: M12x1,25x40mm	Pos. 13 Name: Plain washer Quantity: 10 Dim.: Ø 13 mm	Pos. 19 Name: Ball cover Quantity: 1
Pos. 3 Name: Socket plate Quantity: 1	Pos. 9 Name: Bolt 8,8 B Quantity: 4 Dim.: M12x35mm	Pos. 14 Name: Plain washer Quantity: 2 Dim.: Ø 10,5 mm	Pos. 20 Name: Body of the automat Quantity: 1
	Pos. 4 Name: Right bracket Quantity: 1	Pos. 15 Name: Plain washer Quantity: 2 Dim.: Ø 6,5 mm	Pos. 21 Name: Body plug Quantity: 1
			



PPUH AUTO-HAK S.J.

Produkcja Haków Holowniczych
Henryk & Zbigniew Nejman
76-200 SŁUPSK ul. Słoneczna 16K
tel/fax (059) 8-414-414; 8-414-413
E-mail: office@autohak.com.pl
www.autohak.com.pl

Towing hitch (without electrical set)

Class: **A50-X** Cat. no. **O50A**

Designed for:

Manufacturer: **TOYOTA**

Model: **COROLLA**

Type: **VERSO**

produced since 2002 till 03.2004

Technical data:

D-value: 7,4 kN

maximum trailer weight: **1350 kg**

maximum vertical cup load: **55 kg**

Approval number acc. to regulations EKG/ONZ 55.01: E20-55R-01 0733

Foreword

This towbar is designed according to rules of safety traffic regulations. The towing hitch is a safety component and must be installed only by qualified personnel. Any alteration or conversion to the towinh hitch is prohibited and would lead to cancellation of design certification. Remove insulating compound and underseal from vehicle (if present) in the area of the matting surfaces of the towing hitch.

The vehicle manufacturer's specifications regarding trailer load and max. vertical cup load are decisive for driving, and values for the towing hitch must not be exceeded.

D-value formula:

$$\frac{\text{Max trailer weight [kg]} \times \text{Max vehicle weight [kg]}}{\text{Max trailer weight [kg]} + \text{Max vehicle weight [kg]}} \times \frac{9,81}{1000} = D \text{ [kN]}$$