



WESEM



*plastic
housing*



*metal
housing*



headlamps

Ø 161

designed for tractors **Ursus**

R2 or H4

stand-alone

triple-function

Construction and parameters

Application

To be mounted in factory-prepared places or vertically on front parts of a vehicle.

Recommended particularly for tractors and slow-moving vehicles.

General information

Some versions come with bulbs.

Detailed information

Construction:

- metal reflector
- glass lens
- black plastic housing (optional)
- metal housing (optional)
- mounting bracket
- main bulb spring
- main bulb gasket (optional)
- parking light bulb gasket
- parking light bulb holder

Additional features

The wiring runs through the length of the mounting bolt.

Bulbs

Fit bulbs type:

- R2 12V 45/40W or R2 24V 55/50W
- H4 12V 60/55W or H4 24V 75/70W
- T4W 12V or 24V (BA9s cap)

Mounting accessories

- Main bulb gasket - catalogue number A.05820.
- Parking light bulb holder - catalogue number A.05921.
- Main bulb mounting block - catalogue number A.07128.

Recommendation

Headlamp should be mounted on a vehicle using a galvanized steel sleeve, 18 mm diameter (included with a lamp).

Parameters

The driving light guide number of headlamps (equipped with R2 bulb) which specifies the light's maximum candle power is 7.5 (it is about 37.5 lx within distance of 25 m).

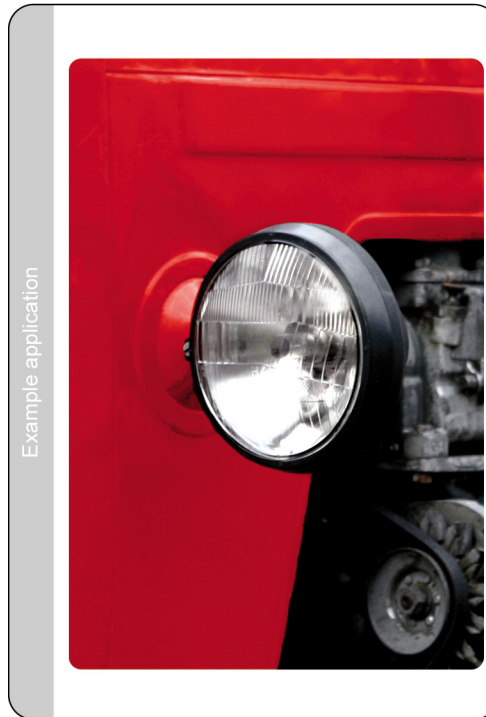
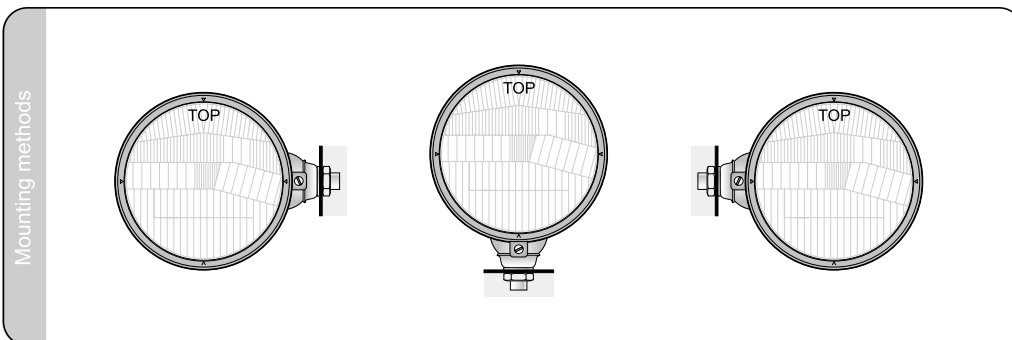
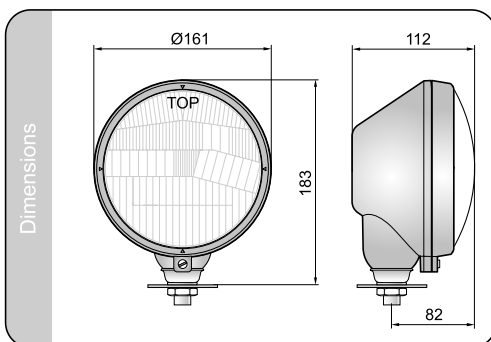
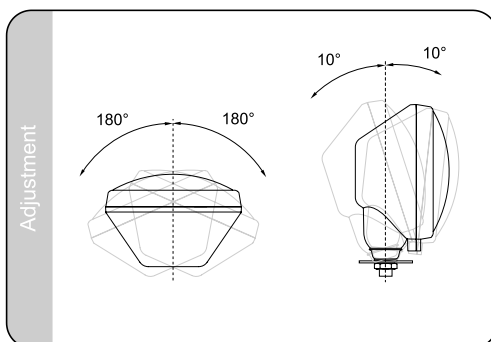
The driving light guide number of headlamps (equipped with H4 bulb) which specifies the light's maximum candle power is 12,5 (it is about 60 lx within distance of 25 m).

Dedicated application

A - Tractors: Ursus, Pronar Zubron 2032A

Cat. number	Homologation code	Light function				Type	H4	R2	Accessories				mounting plate	adjustments	bulb gasket	corrector	wire	Application		Mounting method			Packaging / pc	
		passing light	driving light	parking light					bulb H4 12V	bulb R2 12V	bulb T4W	plastic housing						metal housing	universal	dedicated	right	left	vertically installed	blister pack
RE.13910.R2/P	032	•	•	•			•									•	A	•	•				1	
RE.03210.R2/L	032	•	•	•			•									•	A	•		•			1	
RE.16710.R2/S	032	•	•	•			•									•	A	•			•		1	
RE.16510.H4/P	212	•	•	•			•									•	A	•		•			1	
RE.21210.H4/L	212	•	•	•			•									•	A	•		•			1	
RE.16610.H4/S	212	•	•	•			•									•	A	•			•		1	
RE.44010.R2/P	032	•	•	•			•									•	A	•		•			1	
RE.44000.R2/L	032	•	•	•			•									•	A	•			•		1	
RE.44020.R2/S	032	•	•	•			•									•	A	•			•		1	
RE.43910.H4/P	212	•	•	•			•									•	A	•		•			1	
RE.43900.H4/L	212	•	•	•			•									•	A	•			•		1	
RE.43920.H4/S	212	•	•	•			•									•	A	•			•		1	

Homologation code means identifier of certification number.



- headlamps
- additional lamps
- work lamps
- special lamps
- signalling lamps
- bicycle lamps
- accessories