

WESEM



work lamps

5LKR

halogen lights
100 x 100

hermetic

compact

indispensable at night works

Construction and parameters

Application

Work lamps are used to illuminate working space near vehicles, tractors, slow-moving machines, and any other places where 12V or 24V power is available.



General information

All metal parts are galvanized with a generous zinc coating to ensure corrosion resistance. The metallic coating is treated with silicone varnish and silicon for protection. Some versions come with bulbs.

Detailed information

Construction:

- metal reflector
- black plastic housing
- black plastic frame
- handle (optional)
- glass lens
- twist-and-tilt joint
- connector gasket
- half-connector body
- bulb (optional)

Additional features

The mount permits aiming in any direction with no need to remove lamp. Lamp body is equipped with hermetic connector containing two A2,5 terminals.

Other versions

Equipped with shock absorber. With switch and multiple electrical connectors.

Bulbs

Fit bulb type:
H3 12V 55W or H3 24V 70W

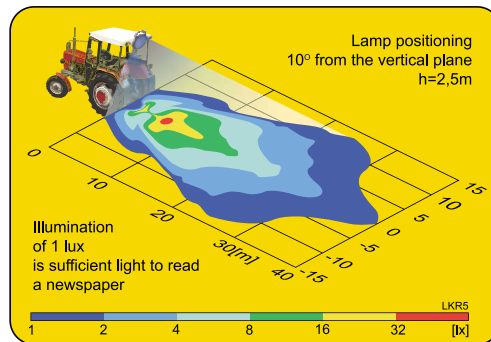
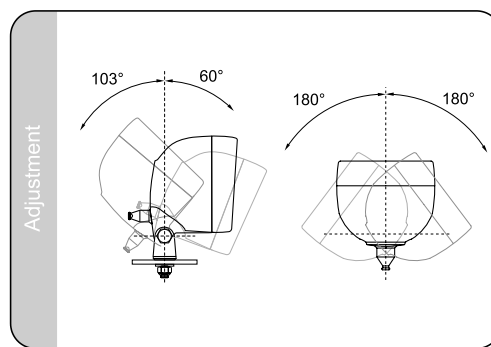
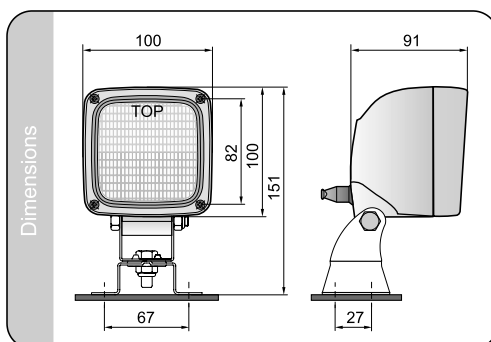
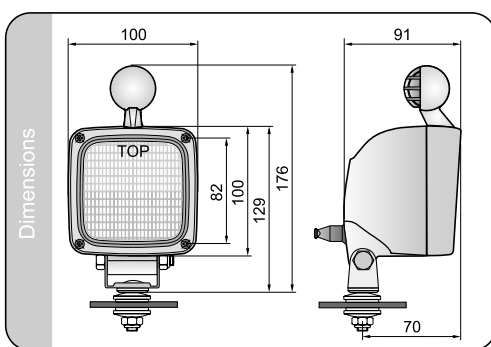
Parameters

Watertightness IP66.

Mounting methods

Can be attached in any position.

Cat. number	Type			Lens		Accessories		Application		Mounting		Packaging / pc									
	H3	F2	P21W	glass	polycarbonate	bulb H3 12V	bulb H3 24V	handle	switch	stone guard	wire	shock absorber	omega type bracket connector	AMP connector	DEUTSCH connector	universal	dedicated	bracket	spoiler / front grill	blister pack	carton box
5LKR.26365	•			•										•		•		•			1
5LKR.27466	•			•			•								•	•		•			1
5LKR.27467	•			•				•							•	•		•			1
5LKR.26366	•			•											•	•		•			1
5LKR.27465	•			•			•		•						•	•		•			1
5LKR.27468	•			•				•	•						•	•		•			1
5LKR.35565	•			•									•		•	•		•			1
5LKR.37066	•			•			•						•		•	•		•			1
5LKR.37166	•			•				•					•		•	•		•			1
5LKR.35566	•			•					•				•		•	•		•			1
5LKR.37067	•			•			•		•				•		•	•		•			1



- headlamps
- additional lamps
- work lamps
- special lamps
- signalling lamps
- bicycle lamps
- accessories