



WESEM



headlamps

ϕ 178

0227, 0251

*Ikarus, Kamaz, Volga, Zaporozhets, Zastava,
Autosan, Skoda 105, Alfa, Fiat: 124, 128, 600*

R2 or H4

twin or triple-function

Construction and parameters

General information

Headlights marked with 034 homologation code are approved in accordance with UNECE regulation No. 20.
Headlights marked with 034.1 homologation code are approved in accordance with UNECE regulation No. 112.

Construction:

- metal reflector
- glass lens
- parking light bulb holder
- headlight bulb gasket (option)
- bulbs (option)

Other versions

Flat or convex lens available.

Bulbs

Fit bulbs type:

R2 12V 45/40W or R2 24V 55/50W
H4 12V 60/55W or H4 24V 75/70W
T4W 12V or 24V (BA9s cap)

Parameters

The driving light reference mark of headlights equipped with R2 bulb, which specifies the light's maximum luminous intensity is 12.5 (it is about 60 lx within distance of 25 m).

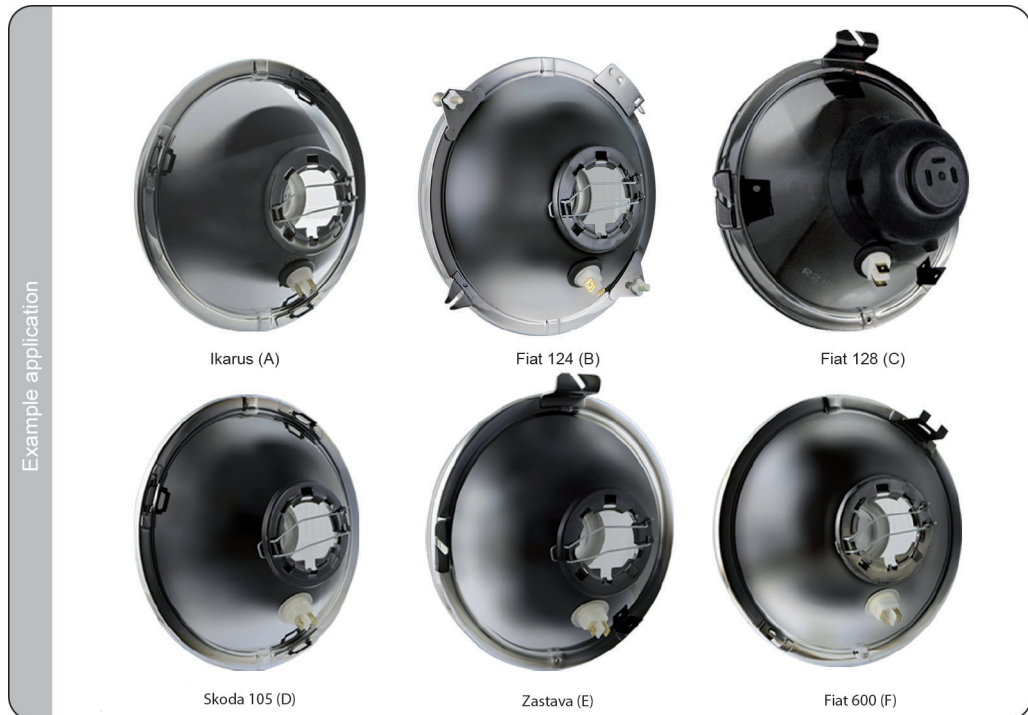
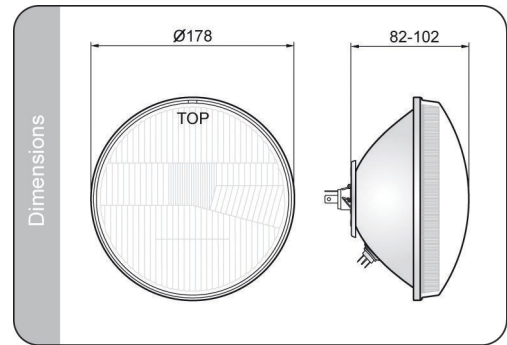
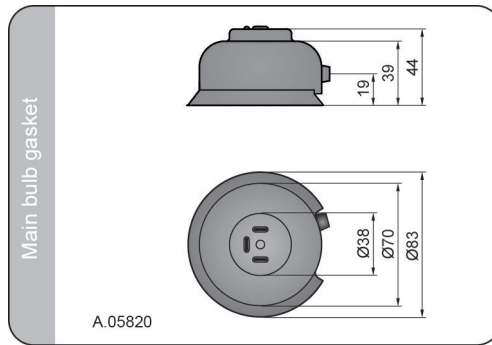
The driving light reference mark of headlights (equipped with H4 bulb), which specifies the light's maximum luminous intensity is 17.5 (it is about 85 lx within distance of 25 m).

Dedicated application

- A- Ikarus: 180, 190, 211, 260, 263, 266, 280, 284,
 • MZ: 150, 250, 251 motorcycles,
 • Kamaz: 4310, 4326, 5320, 53208, 53212, 53213, 5410, 54112, 55102, 55105, 5511, 55111, 56212,
 • Robur: 2002A, 2500, 2501, 3000, 3001, 3002, 1800A, 1801A, 2002A, 2500, 2501, 3000, 3001, 3002,
 • Volga: GAZ-24-01, GAZ-24-02, GAZ-24-10, GAZ-24-12,
 • Mazda MX-5 (1989-98),
 • Trabant: 1.1, P50, P600, P601,
 • Zaporozhets: ZAZ-966, ZAZ-968,
 • Land Rover Defender (from 1983),
 • Lada: Niva 2121, Niva 2131
 B- Fiat 124 (1966-85)
 C- Fiat 128 (1969-85)
 D- Skoda: 105L (1976-80), 105S (1976-83),
 • Jawa 638 motorcycles
 E- Zastava 1100, Autosan, Tarpan
 F- Fiat 600
 G- Alfa

Cat. number	Zelmat Catal. No.	Homologation code	Light function				Type	H4	R2	Traffic		Accessories	Bulbs					Aperture	bulb gasket	Application		Packaging / pc	carton box
			passing light	driving light	parking light	parking light				right-hand	left-hand		bulb H4 12V	bulb H4 24V	bulb R2 12V	bulb R2 24V	bulb T4W			universal	dedicated		
RE.12111	0251.0.000.5	033	*	*	*	*													A	1			
RE.12411	0251.5.000.4	034.1	*	*	*	*	*												A	1			
RE.12413	0251.5.000.4	034.1	*	*	*	*	*												A	1			
RE.12414	0251.5.000.4	034.1	*	*	*	*	*							*	*				A	1			
RE.11852		033	*	*	*	*	*												B	1			
RE.34152		034	*	*	*	*	*												B	1			
RE.11952		033	*	*	*	*	*												C	1			
RE.13811		034	*	*	*	*	*												D	1			
RE.13821		034	*	*	*	*	*					*		*	*	*			D	1			
RE.34011		034	*	*	*	*	*									*	*		D	1			
RE.34021		034	*	*	*	*	*					*			*	*			D	1			
RE.12211		033	*	*	*	*	*												E	1			
RE.12511	0227.9.023.1	034	*	*	*	*	*							*	*				E	1			
RE.12313		034	*	*	*	*	*							*	*	*	*		F	1			
RE.12312		034	*	*	*	*	*							*	*	*	*		F	1			
RE.12212		033	*	*	*	*	*							*	*	*	*		G	1			
RE.12512		034	*	*	*	*	*							*	*	*	*		G	1			

Homologation code means identifier of certification number.



- headlamps
- additional lamps
- work lamps
- special lamps
- signalling lamps
- bicycle lamps
- accessories
- transportation